

## ASLINKTERMINAL [ASLINK Integrated Terminal]

# BL296□B-08F□-4A-20

- Note on use ⇒ A separate Address Writer is required to set addresses and other data.
- \* For more information, refer to [Various Settings] on page 9.

### [Type]

BL296SB-08F-4A-20	NPN input	e-CON (4 poles)
BL296XB-08F-4A-20	NPN input/NPN output	
BL296PB-08F-4A-20	NPN output	

BL296SB-08FS-4A-20	PNP input	e-CON (4 poles)
BL296XB-08FS-4A-20	PNP input/PNP output	
BL296PB-08FS-4A-20	PNP output	

### [Notes on Safety]

Precautions that must be observed in order to use this system safely are indicated as shown below. You must observe these precautions.



A WARNING indicates a potentially hazardous situation which, if not handled correctly, could result in death or serious injury.



A CAUTION indicates a potentially hazardous situation which, if not handled correctly, may result in personal injury or property damage.



- System Safety  
This system is intended for general industrial applications. It does not have functions for supporting applications requiring higher levels of safety such as safety-related devices or accident prevention systems. The product must not be used for these purposes.
- Always turn off the power in installing or replacing the system.
- Prolonged continuous flow of a rated load current or higher or a transit current due to load short-circuit, etc., in the hybrid unit including the output unit and the output circuit may result in smoking or firing. An external safety device such as a fuse must be installed.



- System power supply  
Use a stable, 24V DC power supply. Use of an unstable power supply may cause problems with the system.
- Separately route high-voltage and power cables  
Although the AnyWireASLINK has a high noise margin, install the transmission line and I/O cables away from high-voltage and power cables.
- Connectors and terminals
  - Pay careful attention to the length and installation of cable wiring to ensure that connectors and cables are neither overloaded nor disconnected.
  - Make sure to prevent any metal objects from getting inside the connectors or the terminal blocks.
  - Short-circuits caused by metal objects or mis-wiring are likely to damage the device.
- Do not impose any external loads on the units. Doing so may cause a failure.
- Do not disconnect or reconnect between the transmission line and slave units when the transmission line is active. A malfunction may occur.
- Use the AnyWireASLINK within the range of the specifications and conditions shown below.

### [Warranty]

- Warranty period  
The warranty on the delivered Product shall continue to be effective for one (1) year after the delivery thereof to a location as designated by the original owner.
- Scope of warranty  
Should a defect occur in any part of the Product during the foregoing warranty period when it is used normally in accordance with the specifications described in this Products Guide, the Company shall replace or repair the defect free of charge, except when it arises as a result of:
  - [1] Misuse or abuse of the Product by the owner;
  - [2] Fault caused by other than the delivered Product;
  - [3] The unauthorized modification or repair of the Product by any person other than the Company's personnel;
  - [4] Any unusual force of nature, disaster or other cause beyond the Company's control.

The term "warranty," as used herein, refers to the warranty applicable to the delivered product alone. The Company shall not be liable for consequential or incidental damages resulting from any malfunction.
- Repair at cost  
After the expiration of the warranty period, the owner shall be responsible for all costs and expenses incurred for the troubleshooting and repair of the Product. Even during the warranty term, the Company shall repair any defects arising from causes other than within the scope of the warranty as specified above, at the owner's cost.
- Changes in the product specifications and the descriptions in the manual  
The descriptions in this manual may be subject to change without notice.

### [About Pictogram\*1]

	Ver. 1.0*2		Compatible with Ver. 1.1*3
---	------------	---	----------------------------

- \*1 The pictogram may not be marked (or stuck) depending on the product.
- \*2 AnyWireASLINK device not compatible with Ver. 1.1 (word transmission and single unit simplified replacement functions)  
Some products, not marked with the Ver. 1.1 pictogram, are compatible with the functions included in Ver. 1.1. Refer to the lot No. and the product guide for ultimate confirmation.
- \*3 For details of Ver. 1.1, refer to the subsequent pages.

## [About AnyWireASLINK Ver. 1.1]

---

New functions have been added to AnyWireASLINK products in May 2019 onward. Also, for the purpose of differentiation of compatible functions, indication of product lot number (lot No.) has been changed.

Compatible functions vary depending on lot No. Please understand the following description thoroughly to use each product.

Functions added to Ver. 1.1 are as follows:

Functions available with Ver. 1.1	Word transmission*1*2
	Single unit simplified replacement*1

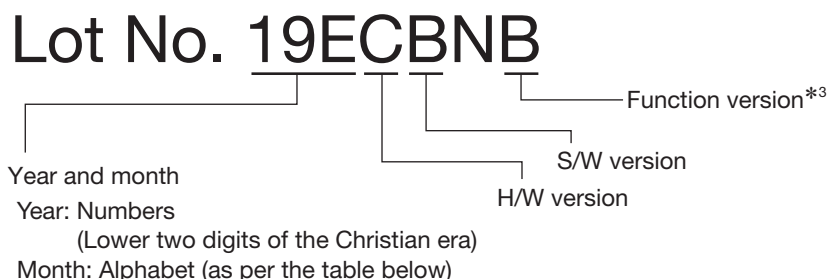
- \*1 To use these functions, the master unit compatible with each function is required.  
For details, refer to this manual together with the manual for the master unit.
- \*2 You can use this function with the word-transmission AnyWireASLINK unit connected.  
To handle word data, word address settings are required for slave units.  
It depends on slave units whether word address setting is enabled or not.

## [About Lot No.]

---

As a result of the addition of functions, indication of lot No. has been changed from 3 digits (conventional format: year and month only) to 6 digits or 7 digits.

Example:



Alphabet	A	B	C	D	E	F	G	H	I	J	K	L
Month	1	2	3	4	5	6	7	8	9	10	11	12

“19E” means May 2019.

\*3 Some products have no indication of function version.

## [About Word Transmission]

---

The master unit compatible with the word transmission function provides areas for transmission and receiving of word data (numerical information) such as analog data and sensing level data.

Using this function enables reduction of occupancy of bit information area by word data.

To enable word transmission, it is necessary that the system should be configured only with slave units compatible with the word transmission function.

A slave unit incompatible with the word transmission function cannot be connected to the AnyWireASLINK system to conduct word transmission.

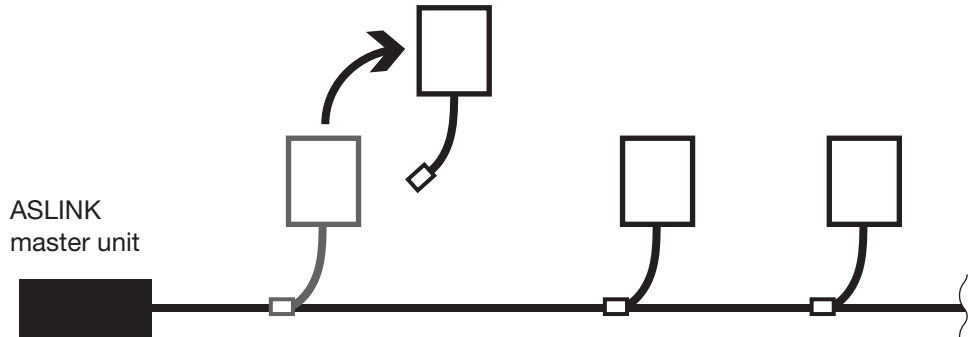
For slave units that handle word data, word address settings are required.

## [About Single Unit Simplified Replacement]

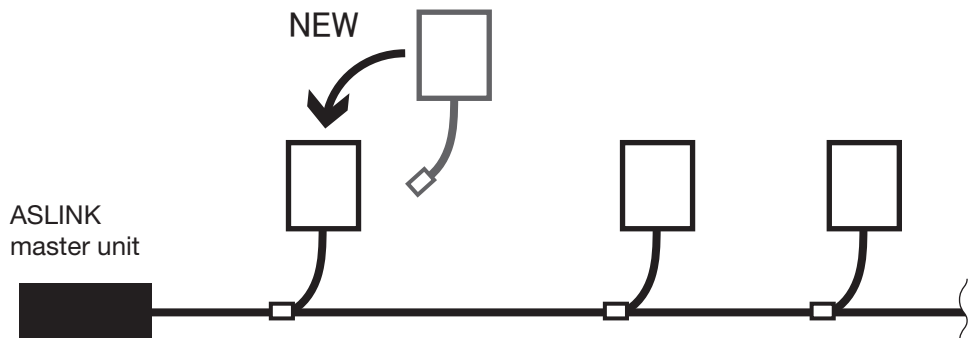
During replacement of a slave unit, this function enables automatic settings of address and parameters of the existing slave unit into a new slave unit. (After replacement of the slave unit, address and parameter setting procedure using the address writer is not required.)

■ Step 1 Turn OFF the 24V DC power supply for the master unit.

■ Step 2 Disconnect a slave unit to be replaced.



■ Step 3 Connect a new slave unit.



■ Step 4 Turn ON the 24V DC power supply to the master unit.



- It is necessary that both the master unit and slave unit should be compatible with the single unit simplified replacement function.
- Before disconnection and connection of the slave unit, be sure to turn OFF the power supply.
- For compatibility of a slave unit with the single unit simplified replacement function, see the lot No. and the manual for the slave unit.
- When a slave unit of a new function version is replaced with that of an old function version, the single unit simplified replacement function cannot be used.
- Operation is enabled in the case where the model of the slave unit before replacement is the same as that after replacement.
- If the model of the slave unit before replacement is different from that after replacement, a model mismatching error occurs, disabling address and parameter settings.
- Operation is enabled in the case where the address of the slave unit for replacement is the factory-set address (bit address 511).
- Several slave units cannot be simultaneously replaced. For replacement of several slave units, conduct the replacement procedure for each unit one by one.
- For a slave unit incompatible with the single unit simplified replacement function, set an address and parameters by using the address writer as in the conventional manner.
- For details of the single unit simplified replacement function (limitations, conditions, etc.), refer to the manual for the master unit.

■ Identification of function version

Function version information is given on the lot label.

\* The design and contents of the lot label may vary depending on the product model and lot No.

<b>Anywire Corporation</b>	
MODEL	_____
DATE	2019-05
Lot	19ECB(B)
_____	_____
_____	_____
MADE IN JAPAN	

Function version:

When an equipment parameter is changed due to functional upgrading, etc., the function version will be updated (for example: A→B→C).

When a slave unit of a new function version is replaced with that of an old function version, the single unit simplified replacement function cannot be used.

## [Functions]

### ■ Function list

Model	Specifications	Connection targets	Functions					Address	
			Bit transmission	Word transmission <sup>*1</sup>	Single unit simplified replacement <sup>*2</sup>	Remote address change <sup>*2</sup>	Detection of sensor cable disconnection	Bit address setting	Word address setting
ASLINKTERMINAL 4-wire (isolated) type integrated compact terminal e-CON (4 poles)	NPN input: 8 points, NPN output: 8 points NPN input: 4 points/output: 4 points PNP input: 8 points, PNP output: 8 points PNP input: 4 points/output: 4 points	General-purpose sensors, switches General-purpose output devices	○	○	○	○	×	○	×

\*1 This terminal can be used in connection to the AnyWireASLINK unit for word transmission. Note that this terminal cannot handle word data by setting a word address.

\*2 To use these functions, a master unit that supports each function is required. For details, refer to the manual for the master unit together with this manual.

### ■ Detecting functions (Status details)

Functions				
Slave unit voltage drop	Sensing level drop	I/O disconnection	I/O short-circuit	I/O power supply drop
○	×	×	×	○

## [Function Compatibility by Lot No.]

This unit has undergone addition of functions and change of specifications according to version upgrading. Available functions and specifications of the unit vary depending on lot No.

Function	Lot No.
Word transmission <sup>*3</sup>	Available with S/W version "A" or later version
Single unit simplified replacement	
Remote address change	

\*3 This terminal can be used in connection to the AnyWireASLINK unit for word transmission. Note that this terminal cannot handle word data by setting a word address.

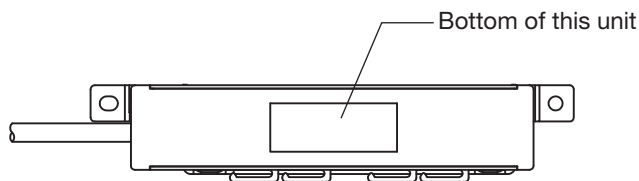
### ■ How to check

Lot No. is indicated on the lot label.

Example:

Lot No. 19ECBNB

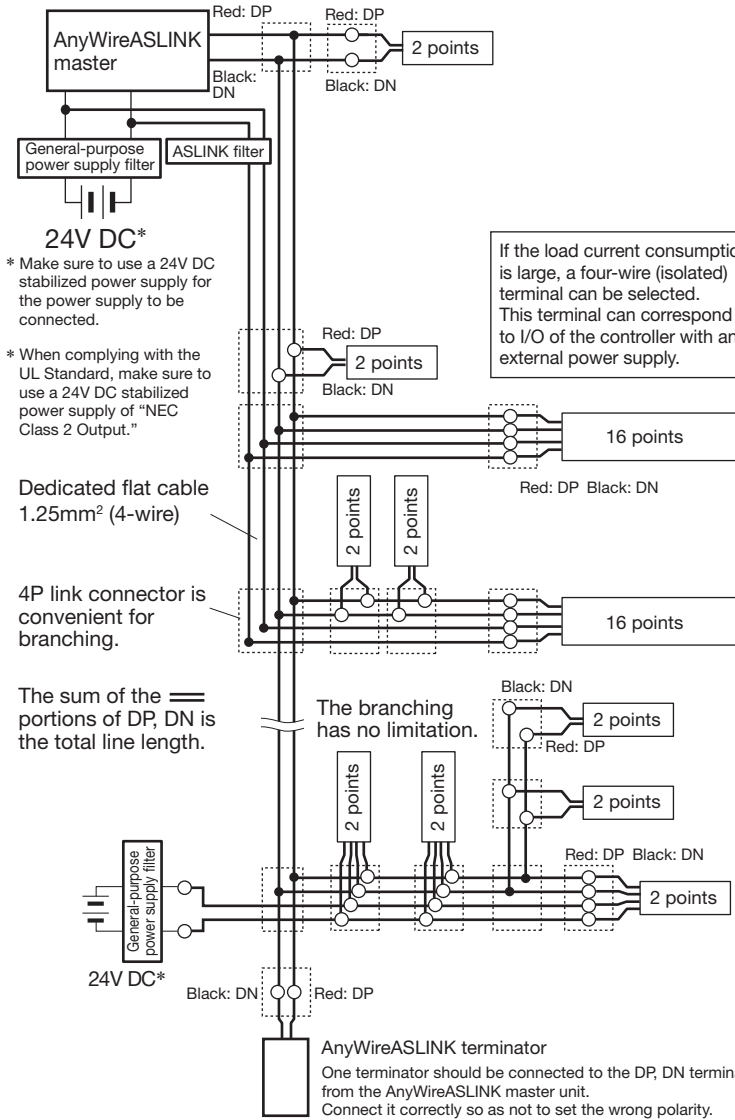
H/W version ————  
S/W version ————  
Function version ————



## [How to Connect AnyWireASLINK]

The AnyWireASLINK can employ a two-wire or four-wire terminal selectively depending on the load current. If the load current is small, using a two-wire (non-isolated) terminal allows for achieving simplified wiring without local power supply. In the case of prioritizing the sites of concentrated loads and/or the number of connections, hybridization with a four-wire (isolated) terminal, which supports local power supply, is also possible. Make sure to use a four-wire (isolated) terminal in the case of input and load driving using an external power supply.

## [System Configuration Example]



### ■ Relationship between the size and length of the transmission line and the supply current (Table 1)

Size of the transmission line (DP, DN)	Supply current on the transmission line (DP, DN)		
	Total length: 50m or less	Total length: Over 50m, no longer than 100m	Total length: Over 100m, no longer than 200m
1.25mm <sup>2</sup>	MAX 2A	MAX 1A	MAX 0.5A
0.75mm <sup>2</sup>	MAX 1.2A	MAX 0.6A	MAX 0.3A
0.5mm <sup>2</sup>	MAX 0.8A	MAX 0.4A	MAX 0.2A

### ⚠ CAUTION

- Refer to Table 1 so that the size and length of the transmission line and the allowable supply current lie within an appropriate range.
- Connect the same symbols (DP, DN) correctly between the AnyWireASLINK master unit and each device.
- The branching length or branch number has no limitation.
- Include the length of the cable provided with the terminal in the "total line length."
- Connect the terminator (with polarity) to the DP, DN terminal farthest from the AnyWireASLINK master unit.

## [Installation Location]

- Locations where this product is not directly subject to vibration or shock
- Locations where this product is not directly exposed to dust
- Locations where this product is not directly exposed to conductors, such as metal chips or spatters
- Locations without condensation
- Locations where the atmosphere is free of corrosive gases, flammable gases, and sulfur
- Locations far from high-voltage or high-current cables
- Locations far from servos, inverters, and other cables and controllers that generate high-frequency noise

## [Notes on Combined Use with 4-Wire (Isolated) Terminal]

If the total length of the sections where all the DP, DN, 24V, and 0V lines run in parallel in the power supply system is more than 50m, connect an ASLINK filter (Type ANF-01) or a filter manufactured by COSEL Co., Ltd. (Type EAC-06-472) in series to the 24V and 0V lines at a position where these four lines start running in parallel.

This will improve noise resistance, suppress the adverse effects of crosstalk caused by transmitted signals, and stabilize signals.

The above filters must be inserted regardless of whether power is supplied to all terminals collectively from the power supply for the master or power is supplied to each terminal individually from their local power supply.

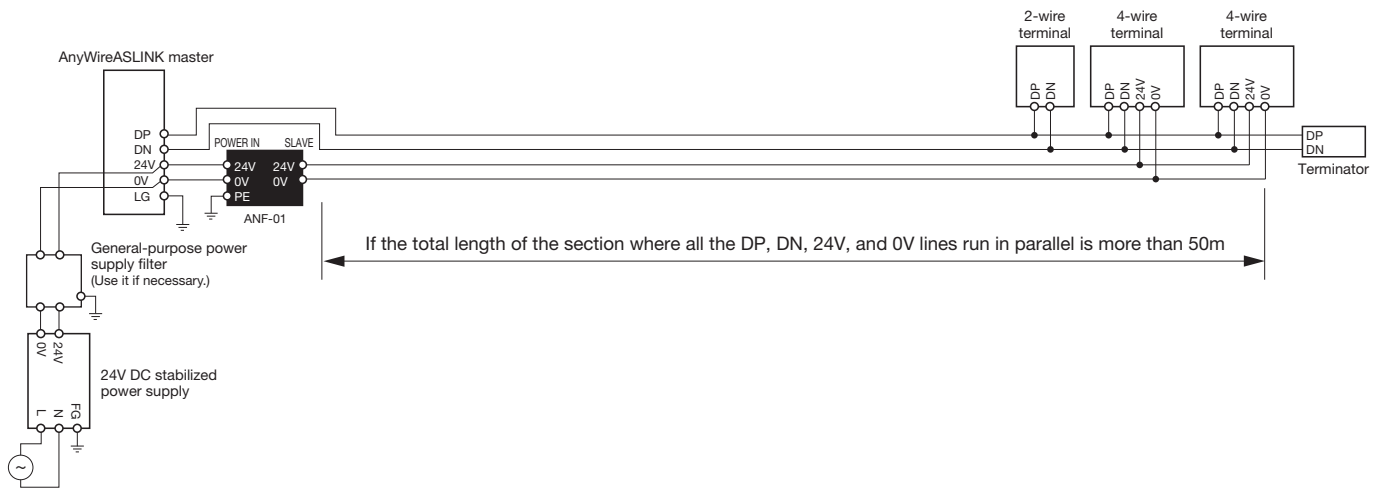
Insert the "ASLINK filter [Type ANF-01]" regardless of installation method and distance when complying with CE Standard.

### ■ Filter allowable current

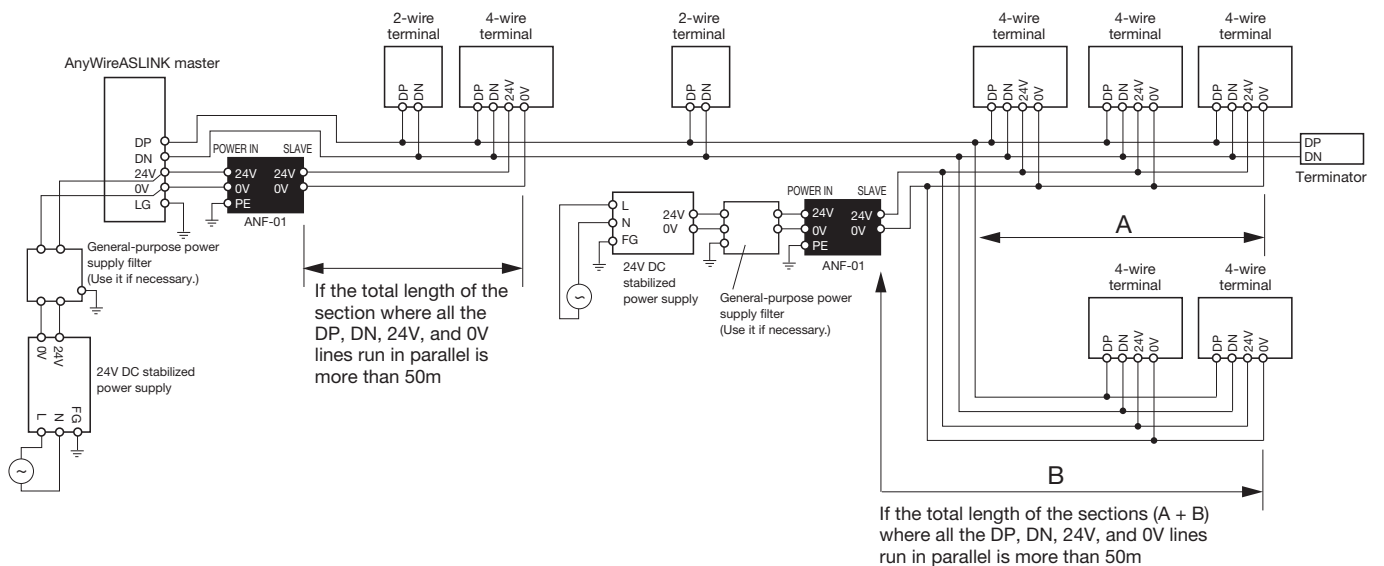
Product	Type	Allowable power current
ASLINK filter	ANF-01	MAX 5A/24V DC
Filter of COSEL Co., Ltd.	EAC-06-472	MAX 6A/24V DC

### ■ AnyWire Type: ANF-01 Connection example

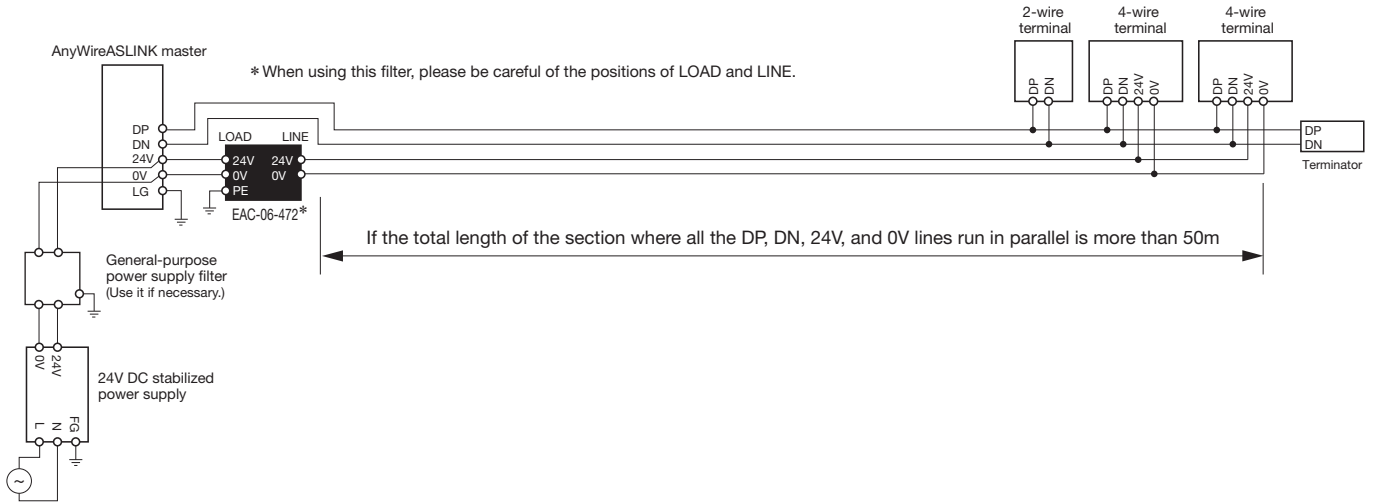
#### ① Power supply to the entire system



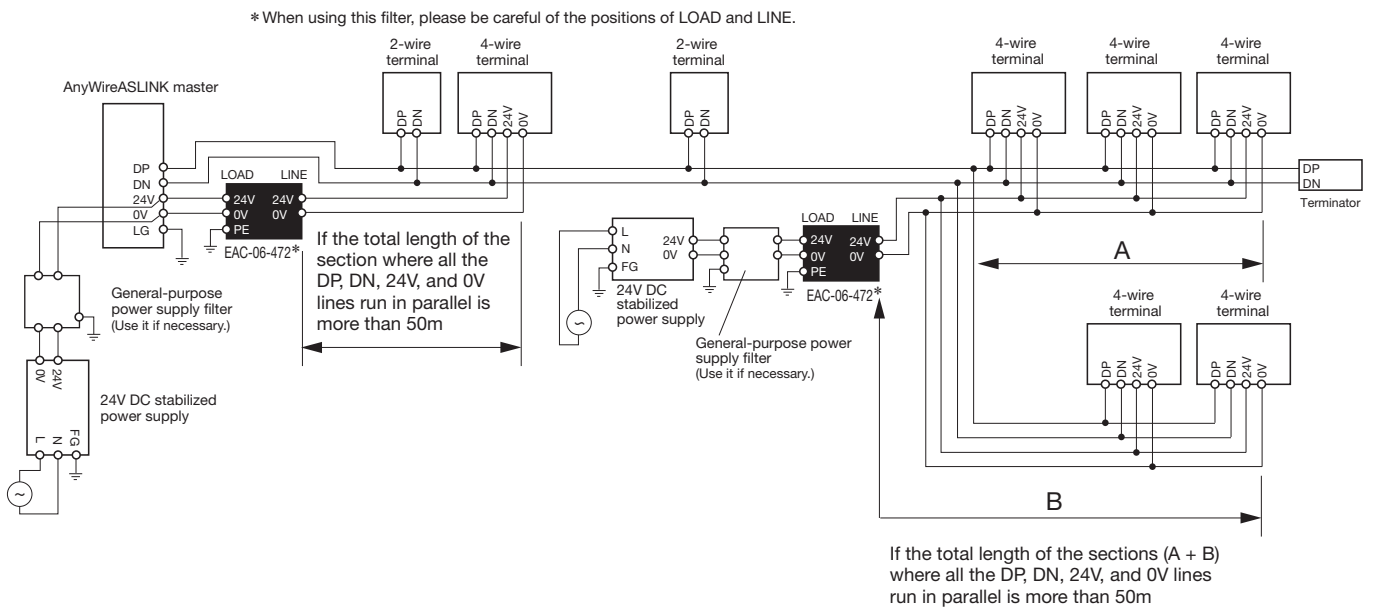
#### ② Local power supply/branching



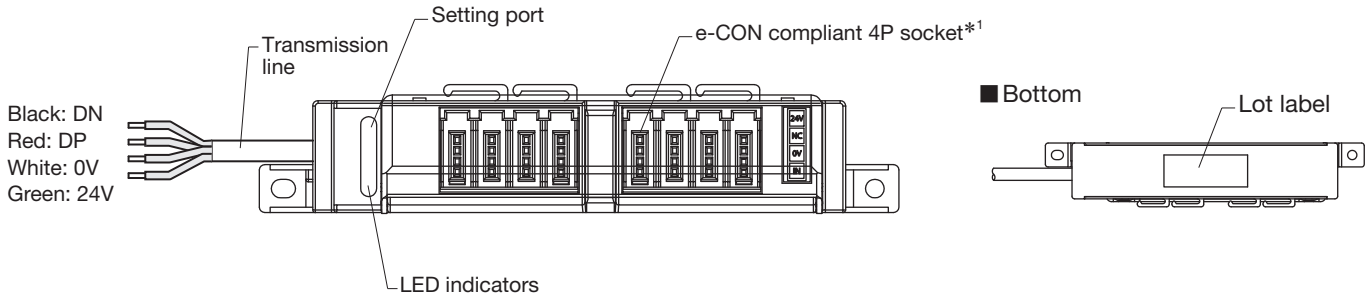
① Power supply to the entire system



② Local power supply/branching



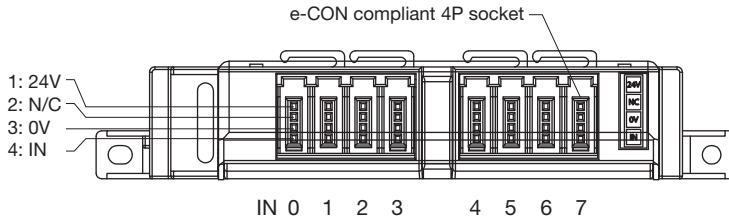
# [Name of Each Part]



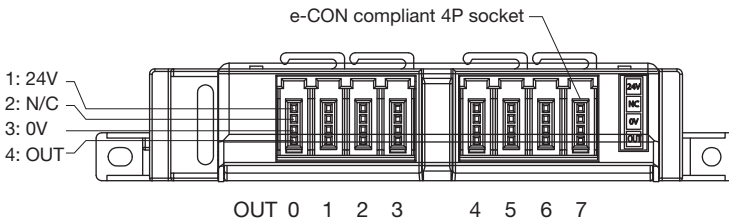
\*1 Prepare the connector separately.

# [Pin Assignment]

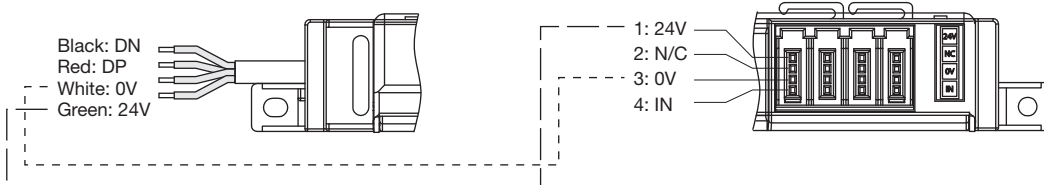
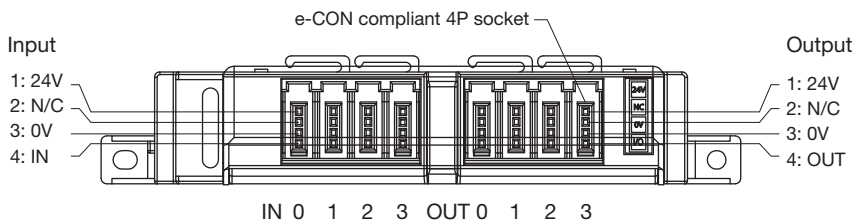
## ■ BL296SB-08F□-4A-20



## ■ BL296PB-08F□-4A-20



## ■ BL296XB-08F□-4A-20



\* The dotted lines are connected internally.

\* The 24V pins and 0V pins are individually connected inside. If current is supplied collectively at a single 24V or 0V pin, limit it to 0.5A or less.



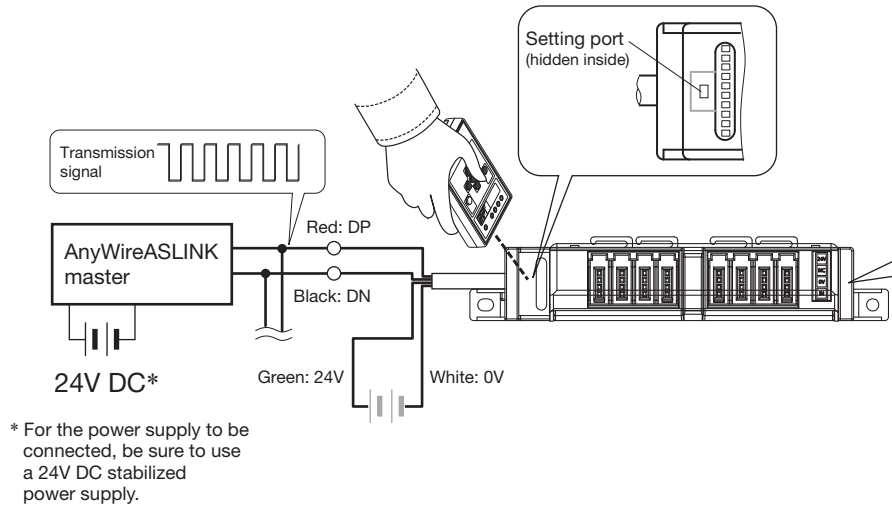
## [Various Settings]

### Address setting

#### Common procedure for address writer operation

Be sure to connect to the AnyWireASLINK master unit to use.  
 ARW-04 (address writer) of Rev. (Ver.) 1.01 or later version, or ARW-03 of Rev. (Ver.) 2.10 or later version is required for address setting.  
 For the details of the operating method, refer to the product guide of the address writer.

Connect this unit to the AnyWireASLINK master unit.  
 Set an address with the address writer with the transmission signal (DP/DN) and power supply (24V/0V) being connected.



#### CAUTION

BL296SB-08F	-	[ 1: 24V 3: 0V
BL296XB-08F	-	[ 1: 24V (Input) 3: 0V 4: OUT (Output)
BL296PB-08F	-	[ 1: 24V 4: OUT
BL296SB-08FS	-	[ 1: 24V 3: 0V
BL296XB-08FS	-	[ 1: 24V (Input) 3: 0V 4: OUT (Output) 3: 0V
BL296PB-08FS	-	[ 4: OUT 3: 0V

While power is supplied, make sure that the above lines are not short-circuited. Short-circuiting the lines may cause a fault of the unit.

### Address setting

An address number is set as a beginning number from which part of the transmission frame is occupied to the terminal.  
 Set the address number within the range of bit address "0 to 254."  
 (For the input/output mixed type, the same address number should be assigned to both input and output.)

- Set the address number so that the area occupied by the terminal does not exceed the transmission points of the master unit.
- Make sure that the address number setting is not duplicated.
- Also, use the address writer to read an address number that has been written in the terminal.

#### CAUTION

The factory-set address is "bit address 511," which indicates that an address has not been set.  
 Input and output operations are disabled with the factory-set address.

## [Data Configuration]

### BL296SB-08F-4A-20, BL296SB-08FS-4A-20

Address offset	n+7	n+6	n+5	n+4	n+3	n+2	n+1	n
Bit input	IN7	IN6	IN5	IN4	IN3	IN2	IN1	IN0

\*n = Bit address number assigned to this unit

### BL296PB-08F-4A-20, BL296PB-08FS-4A-20

Address offset	n+7	n+6	n+5	n+4	n+3	n+2	n+1	n
Bit output	OUT7	OUT6	OUT5	OUT4	OUT3	OUT2	OUT1	OUT0

### BL296XB-08F-4A-20, BL296XB-08FS-4A-20

Address offset	n+3	n+2	n+1	n
Bit input	IN3	IN2	IN1	IN0
Bit output	OUT3	OUT2	OUT1	OUT0

## ■ Status details

The contents of an alarm detected with this unit can be checked with the “status detail area\*1” on the master unit.

A bit corresponding to the status detail area turns ON depending on the contents of the alarm.

Status detail area of the master unit













Status details	b15	b14	b13	b12	b11	b10	b9	b8	b7	b6	b5	b4	b3	b2	b1	b0
----------------	-----	-----	-----	-----	-----	-----	----	----	----	----	----	----	----	----	----	----

b0: Slave unit voltage drop (DP-DN-side voltage drop)

b5: I/O power supply drop (24V-0V-side voltage drop)

\*1 This can be used on the master unit having the status detail area. For details, refer to the manual for the master unit.

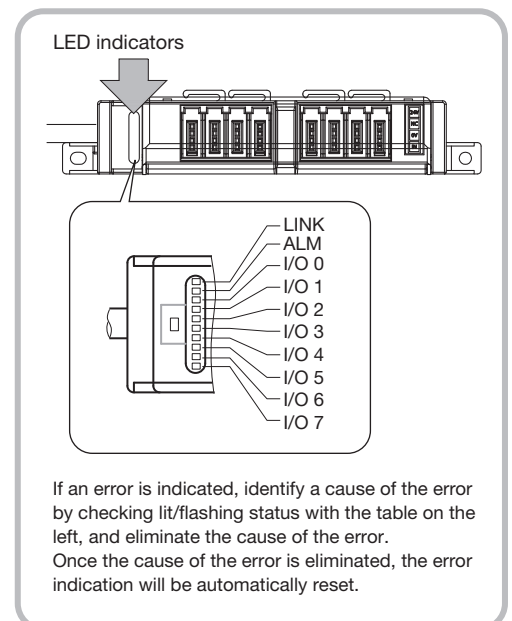
## [Monitor Display]

LED name	Display status	Description
LINK (Green)	Lit 	Transmission signal error Model mismatching error*2
	Flashing 	Transmission signal received
	Unlit 	No transmission signal (disconnection and reverse connection of DP and DN lines included)
ALM (Red)	Lit 	I/O power supply drop
	Flashing 	Slave unit voltage drop Model mismatching error*2
	Unlit 	No ALM available
LINK ALM	Alternate flashing LINK  ALM 	ID duplicated*3 or ID unregistered*4
LINK ALM	LINK  ALM 	Model mismatching error*2
I/O (Orange)	Lit 	ON
	Unlit 	OFF

\*2 This indication appears when the use of the single unit simplified replacement function fails.

\*3 If ID duplication is detected when the master unit executes automatic address recognition, this indication appears.

\*4 This indication appears when transmission signal and power supply are normally connected, and the unit is set to the factory-set address.



## [Troubleshooting]

### <LINK does not flash>

Things to be checked	Remedy
Check the connection of this unit.	Disconnect this unit once, and then reconnect it.
Check conditions of the master unit and slave unit.	<ol style="list-style-type: none"> <li>1) If LINK on the master unit is flashing and LINK on the slave unit is lit, it is possible that the master unit has a fault or power supply (24V-0V) is directly connected to the DP-DN pins of the slave unit. * If LINK is lit while ALM is flashing, it means a failure in single unit simplified replacement.</li> <li>2) If LINK on the master unit is flashing and LINK on the slave unit is unlit, it is possible that the power (24V DC) is not supplied to the master unit, there is a disconnection on the transmission line (DP, DN), or the slave unit has been damaged.</li> <li>3) If LINK on the master unit is not flashing, check the power supply to the master unit. Also, since there is a possibility that some system error has occurred, refer to the user's manual of the master unit.</li> <li>4) A slave unit incompatible with Ver.1.1 cannot be used in connection to the AnyWireASLINK system for word transmission. Check the setting of the master unit, and lot No. of the slave unit.</li> </ol>

### <ALM is lit>

Things to be checked	Remedy
Check the connection of I/O terminals on the slave unit.	<p>Adjust the voltage of external power supply connected to the I/O side of the slave unit so that it falls within the rating (21.6 to 27.6V).</p> <p>In addition, ensure that there is no contact between and erroneous wiring of transmission lines.</p>

### <ALM is flashing>

Things to be checked	Remedy
Check the voltage (24V DC) of external power supply to the master unit.	<p>Adjust the voltage of external power supply to the master unit so that it will be in the range from 21.6 to 27.6V. (Recommended voltage is 26.4V.) Check the total length.</p> <p>Review the total length and wire diameter of transmission line so that the load will not exceed the current limit supplied by the transmission line and adjust the connected load. (In the case of the wire size of 1.25mm<sup>2</sup> and total length of 50m or less, the current supplied by the transmission line is 2A.)</p> <p>* If ALM is flashing while LINK is lit, it means a failure in single unit simplified replacement.</p>

### <LINK and ALM flashes alternately>

Things to be checked	Remedy
Check the address of the slave unit.	<p>The address of the slave unit is either unregistered or duplicated.</p> <p>Take the following actions. * The slave unit cannot be used with the factory-set address.</p> <ol style="list-style-type: none"> <li>1) Set an address correctly.</li> <li>2) Check if there is a slave unit on which the indicator lamps are flashing in the same manner and reset the addresses so that they are not duplicated.</li> </ol>

### <LINK is lit and ALM is flashing: Model mismatching error (Failure in single unit simplified replacement)>

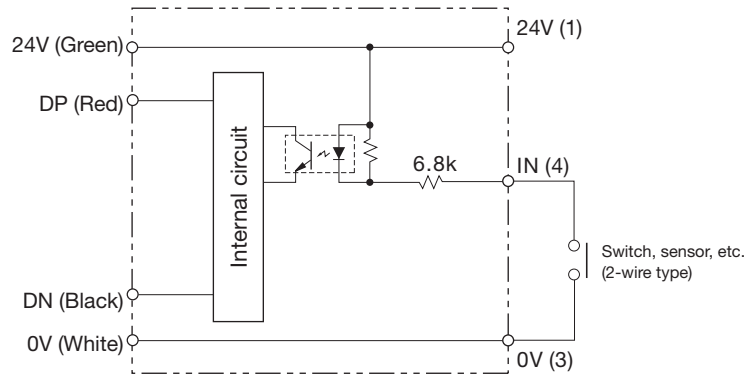
Things to be checked	Remedy
Check the connection of the slave unit.	<p>Defective connections and the like may have caused single unit simplified replacement to fail. Remove the slave unit after replacement, and make connections again.</p> <p>* When two or more replacement slave units are simultaneously connected, the single unit simplified replacement function does not work.</p>
Check the address of the slave unit.	<p>Check if the address of the replacement slave unit is the same as the address before shipment (a bit address of 511).</p> <p>* If the address of the replacement slave unit is not the same as the address before shipment, the single unit simplified replacement function does not work.</p>
Check the model of the slave unit.	<p>Check if the replacement slave unit is of the same type as that of the slave unit before the replacement.</p>
Check the lot No. of the slave unit.	<p>Check if the function version for the replacement slave unit is older than that of the slave unit before the replacement.</p> <p>* If the function version of the replacement slave unit is older, the single unit simplified replacement function does not work.</p>

# [Configuration and Electrical Characteristics of the Input and Output Circuits]

## 4-wire (isolated) NPN input BL296SB-08F-4A-20 BL296XB-08F-4A-20 (Input)

### <Circuit conditions>

Rated input voltage:	24V DC
Max. switching current:	3.5mA
ON current:	2.2mA or more
OFF current:	1mA or less
ON voltage:	16V or more (24V-IN)
OFF voltage:	8V or less (24V-IN)
Allowable current at 24V:	1A max. (24V-0V) (per terminal)



**CAUTION**

To connect loads (e.g. I/O ports) that are controlled with a power supply other than the one used for the AnyWireASLINK system, always use a 4-wire (isolated) terminal. Otherwise, malfunction may be caused.

[E.g.]  
Use the device by connecting the 0V lines together.

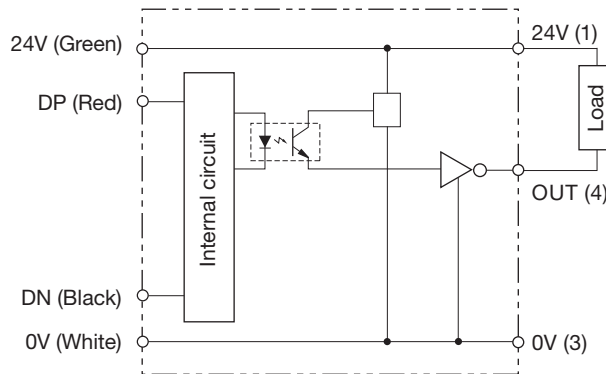
4-wire (isolated) ASLINK terminal  
(Power supply of the AnyWire system)

Load driven by  
an external power supply

## 4-wire (isolated) NPN output BL296PB-08F-4A-20 BL296XB-08F-4A-20 (Output)

### <Circuit conditions>

Withstand voltage:	30V DC
Max. ON current:	100mA



To connect inductive load, use a surge killer.

If output is turned ON with the 24V and OUT terminals short-circuited, the output device will be damaged.

**CAUTION**

To connect loads (e.g. I/O ports) that are controlled with a power supply other than the one used for the AnyWireASLINK system, always use a 4-wire (isolated) terminal. Otherwise, malfunction may be caused.

[E.g.]  
Use the device by connecting the 0V lines together.

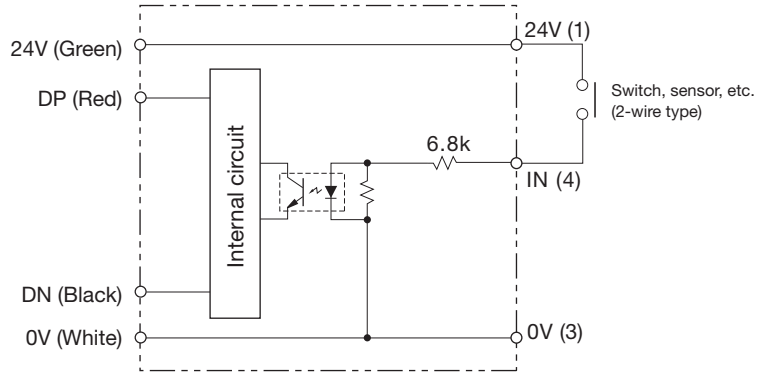
4-wire (isolated) ASLINK terminal  
(Power supply of the AnyWire system)

Load driven by  
an external power supply

4-wire (isolated) PNP input  
 BL296SB-08FS-4A-20  
 BL296XB-08FS-4A-20 (Input)

<Circuit conditions>

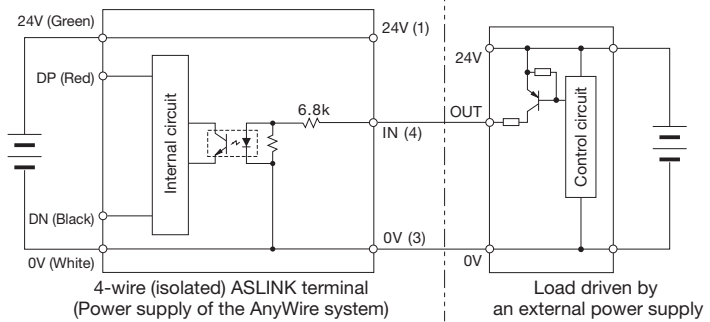
Rated input voltage: 24V DC  
 Max. switching current: 3.5mA  
 ON current: 2.2mA or more  
 OFF current: 1mA or less  
 ON voltage: 16V or more (IN-0V)  
 OFF voltage: 8V or less (IN-0V)  
 Allowable current at 24V: 1A max. (24V-0V)  
 (per terminal)



**CAUTION**

To connect loads (e.g. I/O ports) that are controlled with a power supply other than the one used for the AnyWireASLINK system, always use a 4-wire (isolated) terminal. Otherwise, malfunction may be caused.

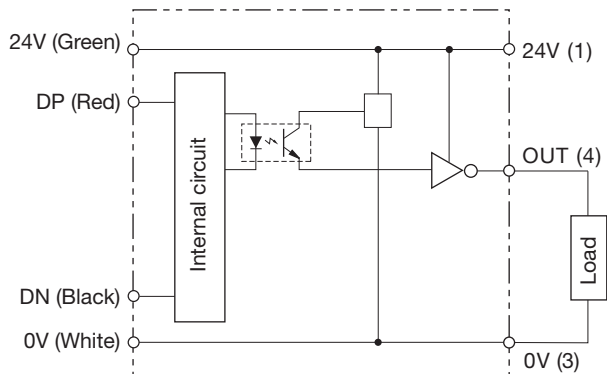
[E.g.]  
 Use the device by connecting the 0V lines together.



4-wire (isolated) PNP output  
 BL296PB-08FS-4A-20  
 BL296XB-08FS-4A-20 (Output)

<Circuit conditions>

Withstand voltage: 30V DC  
 Max. ON current: 100mA



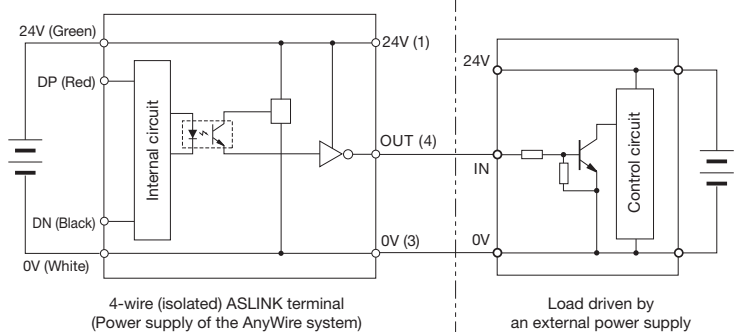
To connect inductive load, use a surge killer.

If output is turned ON with the OUT and 0V terminals short-circuited, the output device will be damaged.

**CAUTION**

To connect loads (e.g. I/O ports) that are controlled with a power supply other than the one used for the AnyWireASLINK system, always use a 4-wire (isolated) terminal. Otherwise, malfunction may be caused.

[E.g.]  
 Use the device by connecting the 0V lines together.



# [Specifications]

## ■ General specifications

Operating ambient temperature/humidity	0 – +55°C, 10 – 90%RH No condensation
Storing ambient temperature/humidity	-25 – +75°C, 10 – 90%RH No condensation
Vibration resistance	Based on JIS B 3502 and IEC 61131-2
Shock resistance	Based on JIS B 3502 and IEC 61131-2
Atmosphere	No corrosive gas
Operating altitude*1	0 – 2000m
Pollution level*2	2 or less

\*1 Do not use or store AnyWireASLINK devices in an environment where the pressure exceeds the atmospheric pressure at an altitude of 0 meters. Doing so may result in malfunction.

\*2 "Pollution level" is an index that indicates the degree of occurrence of conductive substances in the environment where the device is used. Pollution level 2 means the occurrence of only pollution by non-conductive substances. In such an environment, however, electrical conduction could occur due to accidental condensation.

## ■ Transmission specifications

Service power supply voltage	24V DC +15% to -10% (21.6 to 27.6V DC) with a ripple of 0.5Vp-p or less
Transmission method	DC power supply superimposed total frame/cyclic method
Synchronization method	Frame/bit synchronization method
Transmission procedure	AnyWireASLINK protocol
Connection mode	Bus type (Multi-drop method, T-branch method, Tree branch method)
Number of connection points*3	Number of bit points: 512 points max. (Input: 256 bits, Output: 256 bits) Number of word points: 1024 words max. (Input: 512 words, Output: 512 words)
Number of connection units	Up to 128 units
RAS function	Detection of transmission line disconnection, transmission line short-circuit, transmission power supply drop, and duplicated/unregistered ID

\*3 The number differs depending on the master unit. Be sure to refer to the manual of the master unit for the number.

## ■ Individual specifications

Number of occupied points	BL296SB-08F-4A-20	NPN bit input: 8 points	
	BL296XB-08F-4A-20	NPN bit input: 4 points/ bit output: 4 points	
	BL296PB-08F-4A-20	NPN bit output: 8 points	
	BL296SB-08FS-4A-20	PNP bit input: 8 points	
	BL296XB-08FS-4A-20	PNP bit input: 4 points/ bit output: 4 points	
	BL296PB-08FS-4A-20	PNP bit output: 8 points	
Response time*4	1ms max.		
Detection function	Slave unit voltage drop (DP-DN voltage drop) I/O power supply drop (24V-0V voltage drop)		
Current consumption		Transmission side (DP-DN)	I/O side*5 (24V-0V)
	BL296SB-08F-4A-20	6.0mA	40.0mA
	BL296XB-08F-4A-20	6.0mA	26.0mA
	BL296PB-08F-4A-20	6.0mA	10.0mA
	BL296SB-08FS-4A-20	6.0mA	40.0mA
	BL296XB-08FS-4A-20	6.0mA	26.0mA
	BL296PB-08FS-4A-20	6.0mA	10.0mA
Weight	41g		

\*4 Indicates the internal processing time of this unit. The maximum transmission delay time is defined as "this time + bit transmission cycle time × 2."

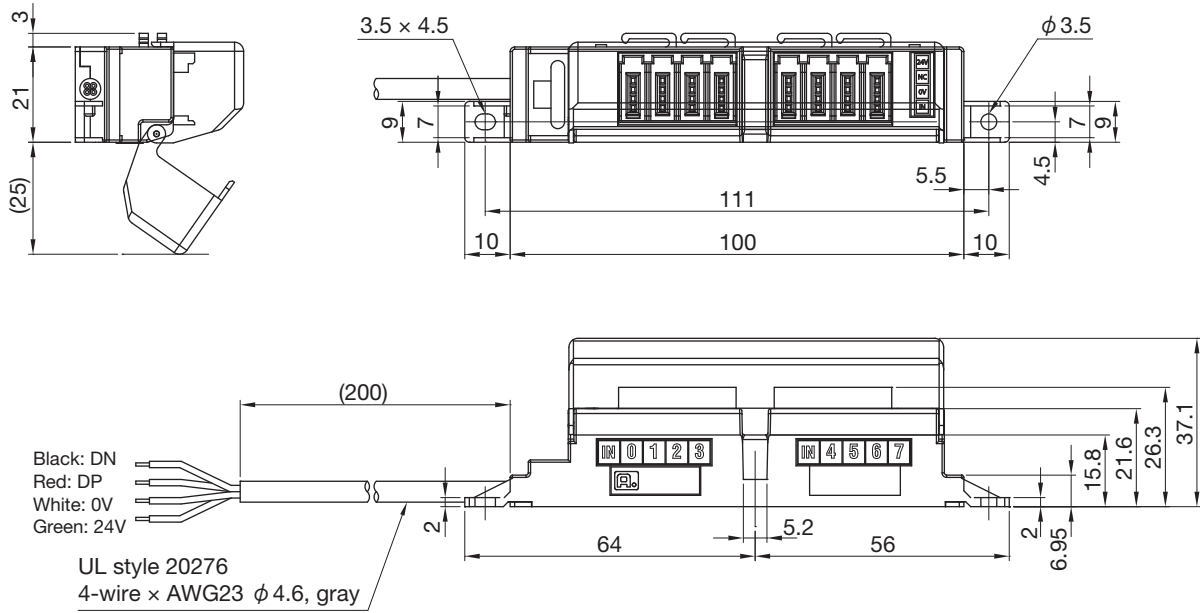
\*5 Current consumption for input is a value assumed when all IN-0V pins (NPN) or 24V-IN pins (PNP) are short-circuited. To connect a 3-wire type sensor, add a total current consumption of the sensor.

Current consumption for output is a value assumed when all points are turned ON. Add a total current consumption of load being connected.

# [Outside Dimensions]

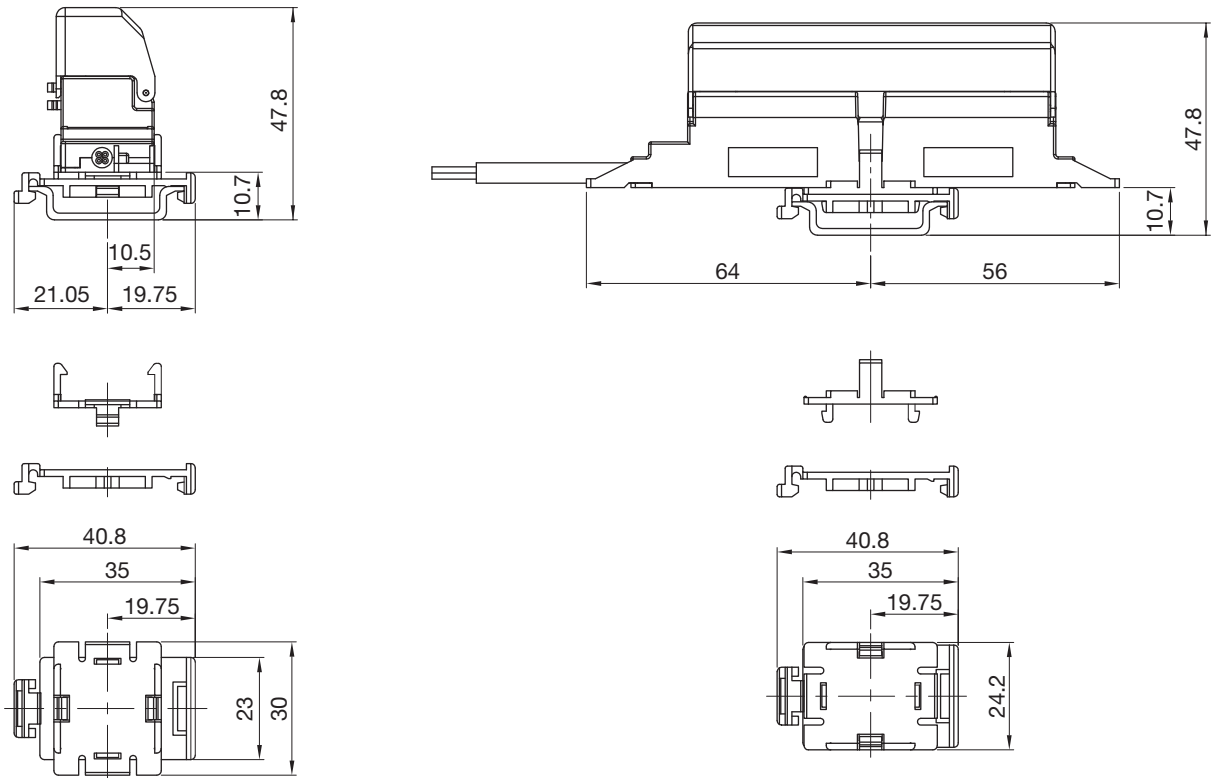
Unit: mm

■ These dimensions are common to all models.



\* This figure shows an example of BL296SB-08F-4A-20.

■ ADP-T96 (dedicated DIN rail mounting adaptor) \* Optionally available



## 【中国版RoHS指令】

电子信息产品上所示标记是依据SJ/T11364-2006规定,按照电子信息产品污染控制标识要求制定。

本产品的环保使用期限为10年。如果遵守产品说明书中的操作条件使用电子信息产品,不会发生因产品中的有害物质泄漏或突发异变而引发严重的环境污染,人身事故,或损坏财产等情况。

的产品中有害物质的名称及含量

部件名称	有害物质					
	铅 (Pb)	汞 (Hg)	镉 (Cd)	六价铬 [Cr(VI)]	多溴联苯 (PBB)	多溴二苯醚 (PBDE)
安装基板	×	○	○	○	○	○
框架	○	○	○	○	○	○

本表格依据SJ/T11364的规定编制。

○:表示该有害物质在该部件所有均质材料中的含量均在GB/T26572规定的限量要求以下。  
×:表示该有害物质至少在该部件的某一均质材料中的含量超出GB/T26572规定的限量要求。



基于中国标准法的参考规格:GB/T15969.2

## [Address]

**Anywire** Anywire Corporation

Headquarters :1 Babazusho, Nagaokakyo-shi, Kyoto 617-8550 JAPAN

Contact :Contact by mail info\_e@anywire.jp  
:Contact by website http://www.anywire.jp

Printed in Japan 2020 UMA-20145AB-EN