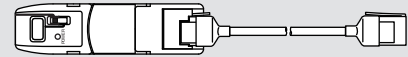


AnyWire Remote head for Address Writer

ARW-RH



ARW-04

ARW-03

The **Product Guide** describes individual products. Refer to the Guide as necessary.

[Notes on Safety]

Precautions that must be observed in order to use this system safely are indicated as shown below. You must observe these precautions.



A **WARNING** indicates a potentially hazardous situation which, if not handled correctly, could result in death or serious injury.



A **CAUTION** indicates a potentially hazardous situation which, if not handled correctly, may result in personal injury or property damage.



- System Safety
This system is intended for general industrial applications. It does not have functions for supporting applications requiring higher levels of safety such as safety-related devices or accident prevention systems. The product must not be used for these purposes.
- Always turn off the power before attempting to mount or replace.



- System power supply
Use a stable, 24V DC power supply. Use of an unstable power supply may cause problems with the system.
- Separately route high-voltage and power cables
Although the **AnyWire System** has a high noise margin, keep the transmission line and I/O cables away from high-voltage and power cables.
- Connectors and terminals
 - Pay careful attention to the length and installation of cable wiring to ensure that connectors and cables are neither overloaded nor disconnected.
 - Make sure to prevent any metal objects from getting inside the connectors or the terminal blocks.
 - Short-circuits caused by metal objects or mis-wiring are likely to damage the device.
- Do not impose any external loads on the units. Doing so may cause a failure.
- Do not disconnect or reconnect between the transmission line and slave units. A malfunction may occur.
- Use the **AnyWire System** within the range of the specifications and conditions shown below.

[Features]

- It is connected to AnyWire infrared non-contact address writer before use.
(Only RH connector built-in model)
- It makes writing in a narrow space or small-sized unit difficult to be handled by the body of address writer easier.
- Front communication and side communication are available.

[Warranty]

- Warranty period
The warranty on the delivered Product shall continue to be effective for one (1) year after the delivery thereof to a location as designated by the original owner.
- Scope of warranty
Should a defect occur in any part of the Product during the foregoing warranty period when it is used normally in accordance with the specifications described in this User's Manual, the Company shall replace or repair the defect free of charge, except when it arises as a result of:
 - [1] Misuse or abuse of the Product by the owner;
 - [2] Fault caused by other than the delivered Product;
 - [3] The unauthorized modification or repair of the Product by any person other than the Company's personnel;
 - [4] Any unusual force of nature, disaster or other cause beyond the Company's control.

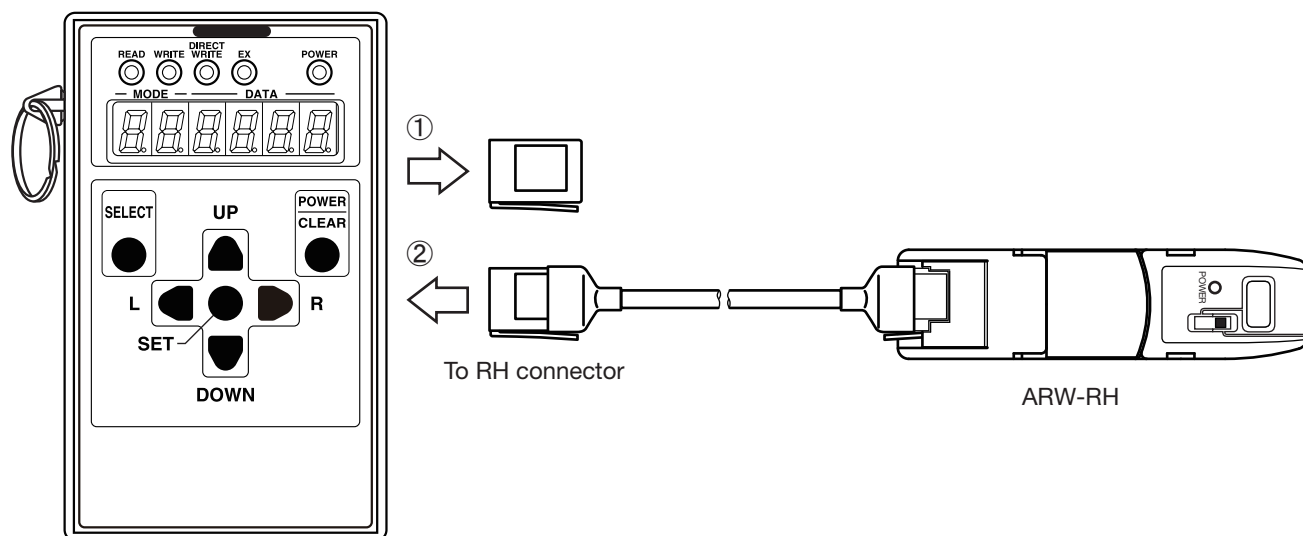
The term "warranty," as used herein, refers to the warranty applicable to the delivered product alone. The Company shall not be liable for consequential or incidental damages resulting from any malfunction.
- Repair at cost
After the expiration of the warranty period, the owner shall be responsible for all costs and expenses incurred for the troubleshooting and repair of the Product. Even during the warranty term, the Company shall repair any defects arising from causes other than within the scope of the warranty as specified above, at the owner's cost.

[Type]

ARW-RH	Adaptable model	ARW-04 ARW-03
--------	-----------------	------------------

[Connection method]

Turn off the ARW-04 or ARW-03, ① remove the cover on the RH connector part and ② connect the connector of the ARW-RH.



* This figure shows an ARW-04 as an example.

[Operation method]

As for the operation method of the ARW-03 and ARW-04, please refer to the other sections.

■ Writing

Set address values to be written in the ARW-04 or ARW-03 in advance.

Point the optical axis window of the ARW-RH to the address writing port of the target unit.

Press the SET button on the ARW-04 or ARW-03 to write an address value.

When writing is successful, a beep sounds.

When "ERR" is displayed, readjust the optical axis to press the SET button again.

■ Reading

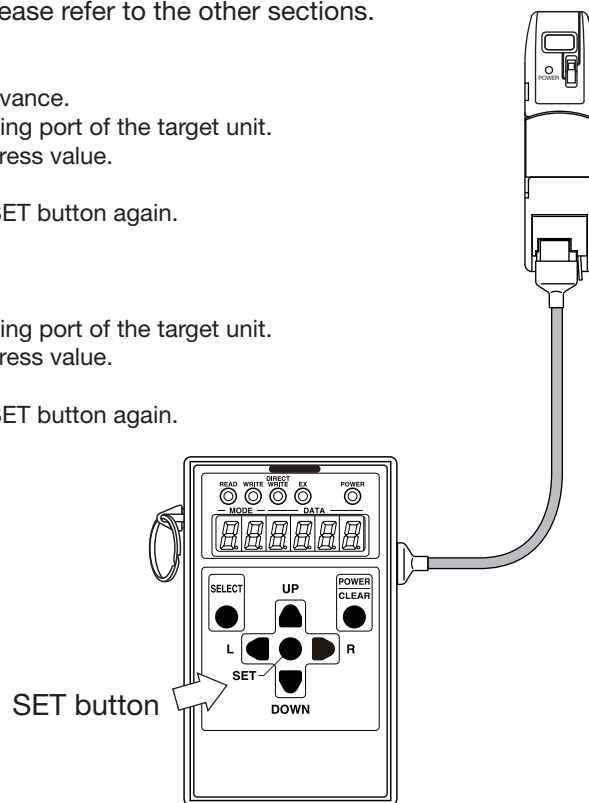
Set the ARW-04 or ARW-03 to the reading mode in advance.

Point the optical axis window of the ARW-RH to the address writing port of the target unit.

Press the SET button on the ARW-04 or ARW-03 to write an address value.

When writing is successful, a beep sounds.

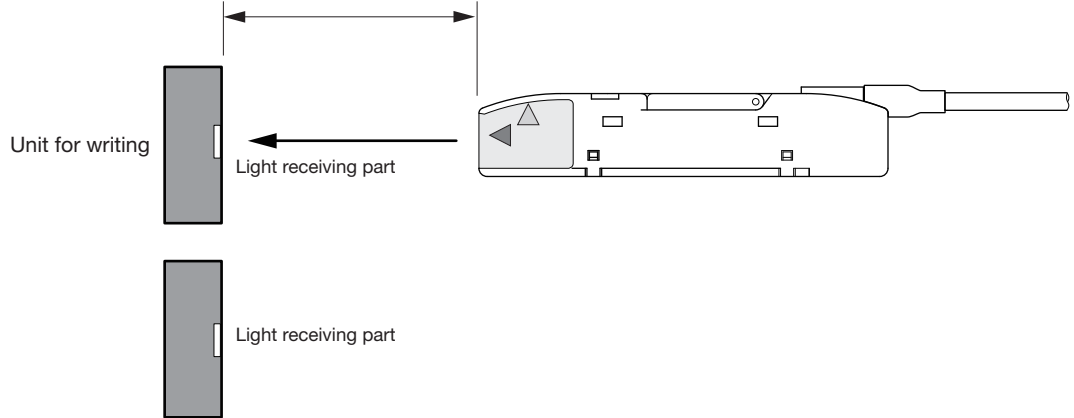
When "ERR" is displayed, readjust the optical axis to press the SET button again.



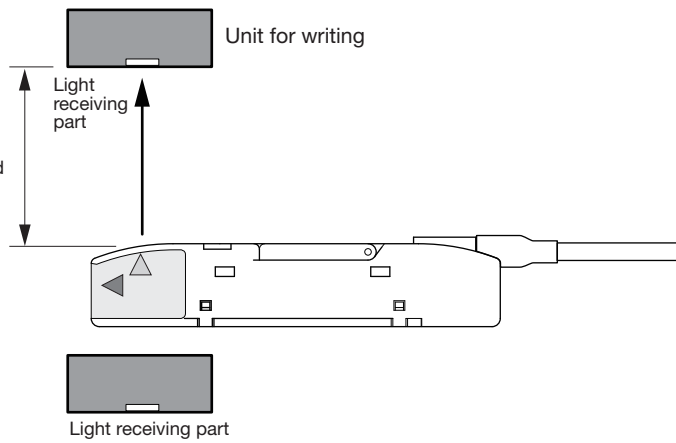
* This figure shows an ARW-04 as an example.

[Operating distance]

Basically, operation within the range of approx. 30mm is possible.
If a unit is small, move the remote head as close as possible to the unit.

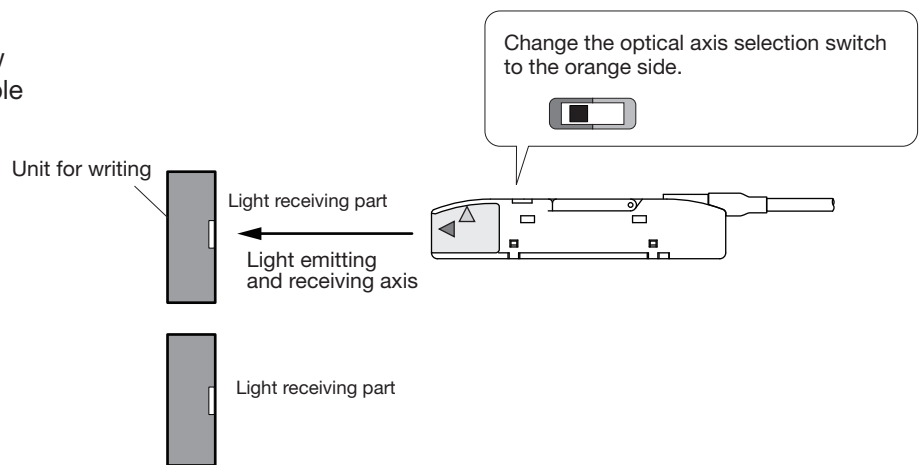


Basically, operation within the range of approx. 30mm is possible.
If a unit is small, move the remote head as close as possible to the unit.

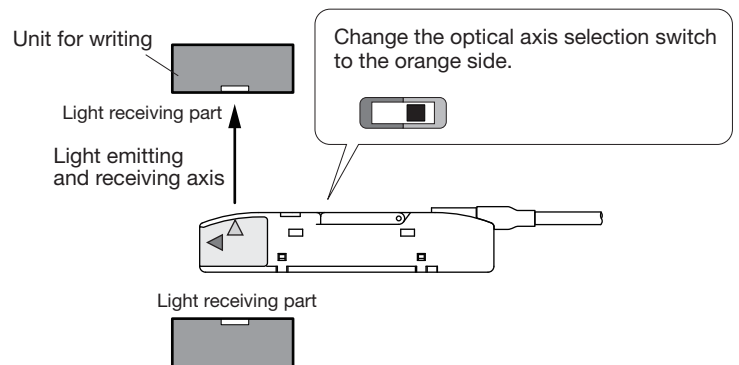


[Example of selection of optical axis]

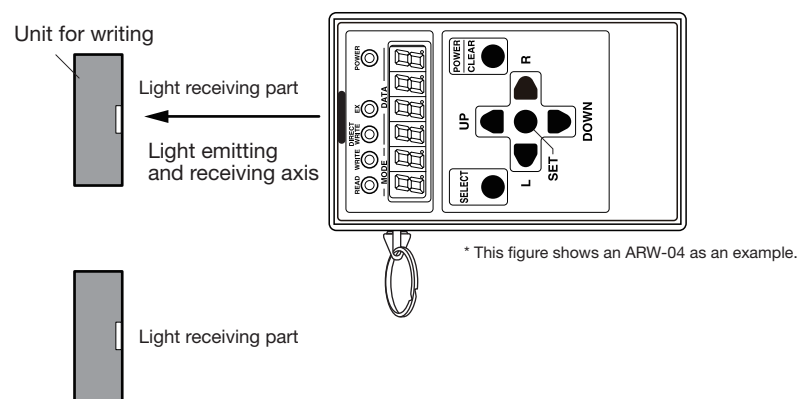
1. When the surroundings are narrow but writing from the front is possible



2. When the surroundings are narrow and writing from the side is required



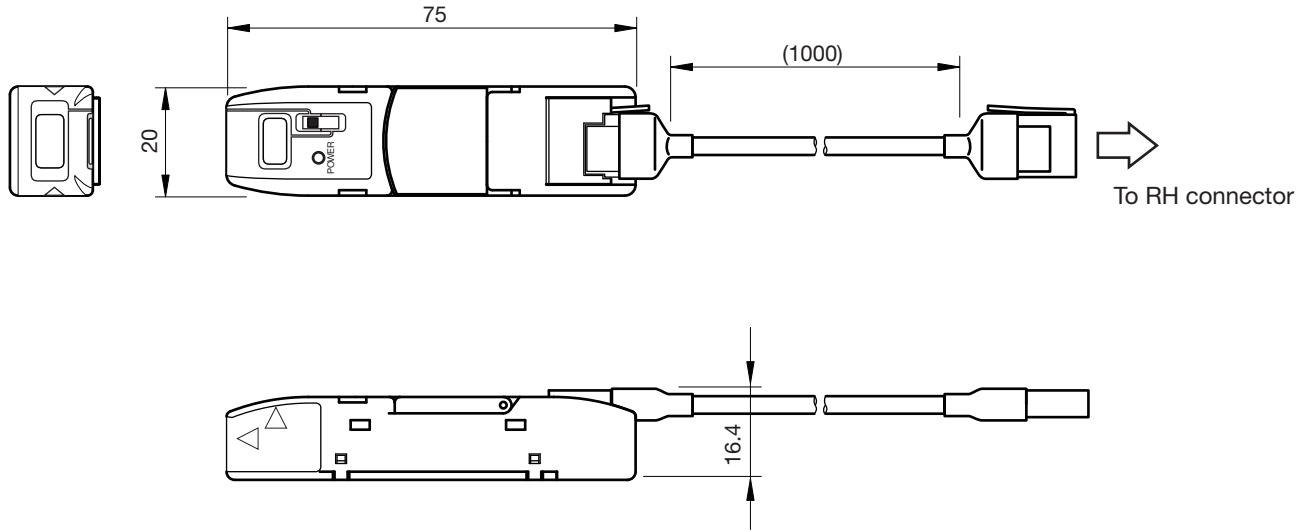
3. When the surroundings are relatively wide and writing from the front is possible



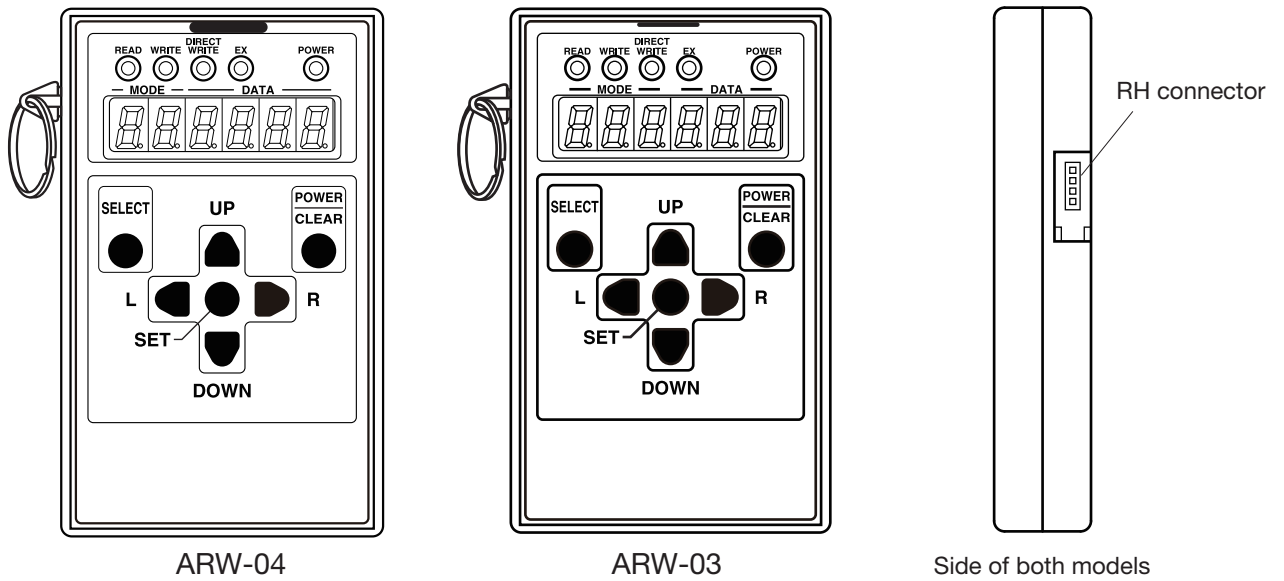
[Outer dimensions]

Unit: mm

■ Model of remote head: ARW-RH (with a connecting cable 1m)



■ Connecting location



【中国版RoHS指令】

电子信息产品上所示标记是依据SJ/T11364-2006规定,按照电子信息产品污染控制标识要求制定。

本产品的环保使用期限为10年。如果遵守产品说明书中的操作条件使用电子信息产品,不会发生因产品中的有害物质泄漏或突发异变而引发严重的环境污染,人身事故,或损坏财产等情况。

的产品中有害物质的名称及含量

部件名称	有害物质					
	铅 (Pb)	汞 (Hg)	镉 (Cd)	六价铬 [Cr(VI)]	多溴联苯 (PBB)	多溴二苯醚 (PBDE)
安装基板	×	○	○	○	○	○
框架	○	○	○	○	○	○

本表格依据 SJ/T11364 的规定编制。

○ : 表示该有害物质在该部件所有均质材料中的含量均在GB/T26572规定的限量要求以下。
× : 表示该有害物质至少在该部件的某一均质材料中的含量超出GB/T26572规定的限量要求。



[Address]

Anywire Anywire Corporation

Headquarters :1 Babazusho, Nagaokakyo-shi, Kyoto 617-8550 JAPAN

Contact :Contact by mail info_e@anywire.jp
:Contact by website http://www.anywire.jp

Printed in Japan 2011, 2016, 2017 UMA-08326C-EN