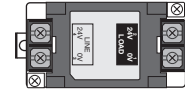


AnyWireASLINK System Product Guide

AnyWireFILTER [Filter]

ANF-01



This Product Guide is a document that describes an individual product. Read it carefully to understand the product.

[Notes on Safety]

Precautions that must be observed in order to use this system safely are indicated as shown below. You must observe these precautions.



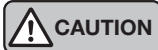
A **WARNING** indicates a potentially hazardous situation which, if not handled correctly, could result in death or serious injury.



A **CAUTION** indicates a potentially hazardous situation which, if not handled correctly, may result in personal injury or property damage.



- System Safety
This system is intended for general industrial applications. It does not have functions for supporting applications requiring higher levels of safety such as safety-related devices or accident prevention systems. The product must not be used for these purposes.
- Always turn off the power in installing or replacing the system.
- Prolonged continuous flow of a rated load current or higher or a transit current due to load short-circuit, etc., in the hybrid unit including the output unit and the output circuit may result in smoking or firing. An external safety device such as a fuse must be installed.



- System power supply
Use a stable, 24V DC power supply. Use of an unstable power supply may cause problems with the system.
- Separately route high-voltage and power cables
Although the AnyWireASLINK has a high noise margin, install the transmission line and I/O cables away from high-voltage and power cables.
- Connectors and terminals
 - Pay careful attention to the length and installation of cable wiring to ensure that connectors and cables are neither overloaded nor disconnected.
 - Make sure to prevent any metal objects from getting inside the connectors or the terminal blocks.
 - Short-circuits caused by metal objects or mis-wiring are likely to damage the device.
- Do not impose any external loads on the units. Doing so may cause a failure.
- Do not disconnect or reconnect between the transmission line and slave units when the transmission line is active. A malfunction may occur.
- Use the AnyWireASLINK within the range of the specifications and conditions shown below.

[Warranty]

■ Warranty period

The warranty on the delivered Product shall continue to be effective for one (1) year after the delivery thereof to a location as designated by the original owner.

■ Scope of warranty

Should a defect occur in any part of the Product during the foregoing warranty period when it is used normally in accordance with the specifications described in this Product Guide, the Company shall replace or repair the defect free of charge, except when it arises as a result of:

- [1] Misuse or abuse of the Product by the owner;
- [2] Fault caused by other than the delivered Product;
- [3] The unauthorized modification or repair of the Product by any person other than the Company's personnel;
- [4] Any unusual force of nature, disaster or other cause beyond the Company's control.

The term "warranty," as used herein, refers to the warranty applicable to the delivered product alone. The Company shall not be liable for consequential or incidental damages resulting from any malfunction.

■ Repair at cost

After the expiration of the warranty period, the owner shall be responsible for all costs and expenses incurred for the troubleshooting and repair of the Product. Even during the warranty term, the Company shall repair any defects arising from causes other than within the scope of the warranty as specified above, at the owner's cost.

[Feature]

ANF-01 is a filter for 24V line which should be used when power supply lines to AnyWireASLINK slave units of 4-wire type (DP, DN, 24V and 0V) run in parallel longer than 50m as total length.

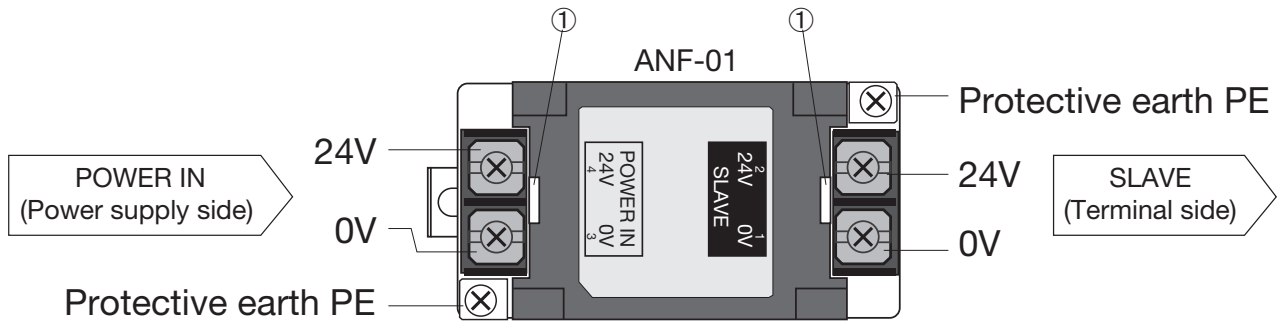
The ANF-01 filter enables noise immunity improvement by suppressing influence of crosstalk caused by transmission signals, resulting in stabilization of signals.

The maximum allowable current is 5A at 24V DC.

[Type]

ANF-01	Rated voltage: 24V DC, Allowable current: 5A max.
--------	---

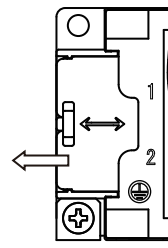
[Terminal Layout]



* The PE terminal is internally connected.

① indicates terminal covers. During use, pull the covers toward the terminals. (For both power supply side and terminal side)

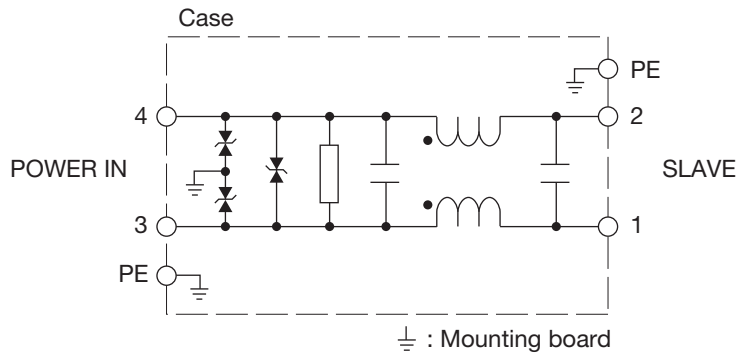
Pulling the knob in the direction of arrow opens the terminal cover.



[Specifications]

Model	ANF-01
Allowable current	5A/24V DC
Connection	M4 screw-up type terminal block Tightening torque: 1.6N·m
Installation	DIN rail
Outside dimensions	W92 × H53 × D41 (mm)
Weight	300g
Operating ambient temperature	0 to 55°C

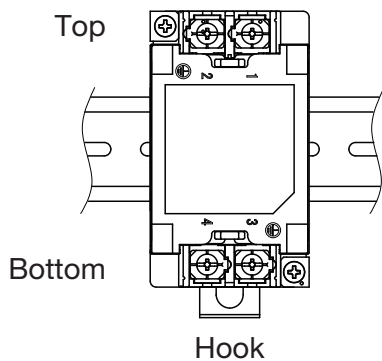
Internal circuit



[Installation]

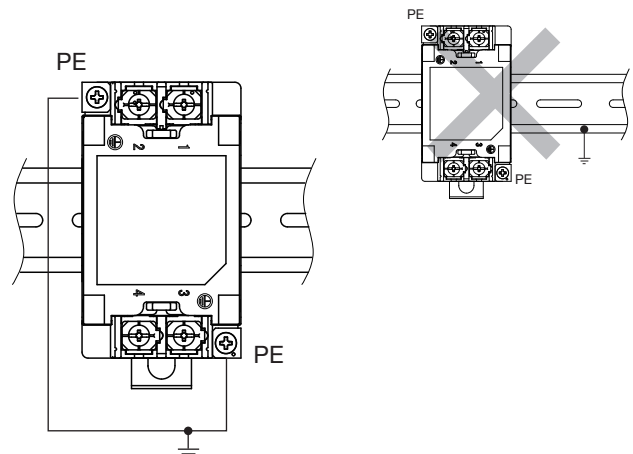
This filter is DIN rail mounting type.
Make sure that the hook faces down when the filter is mounted on a DIN rail.

■ DIN rail mounting (conceptual image)



[Grounding]

Protective earth (PE) terminals are located at two places. Grounding is enabled by connection with either one.
Grounding via DIN rail cannot secure appropriate noise suppression effect.
Do not ground the filter via DIN rail.



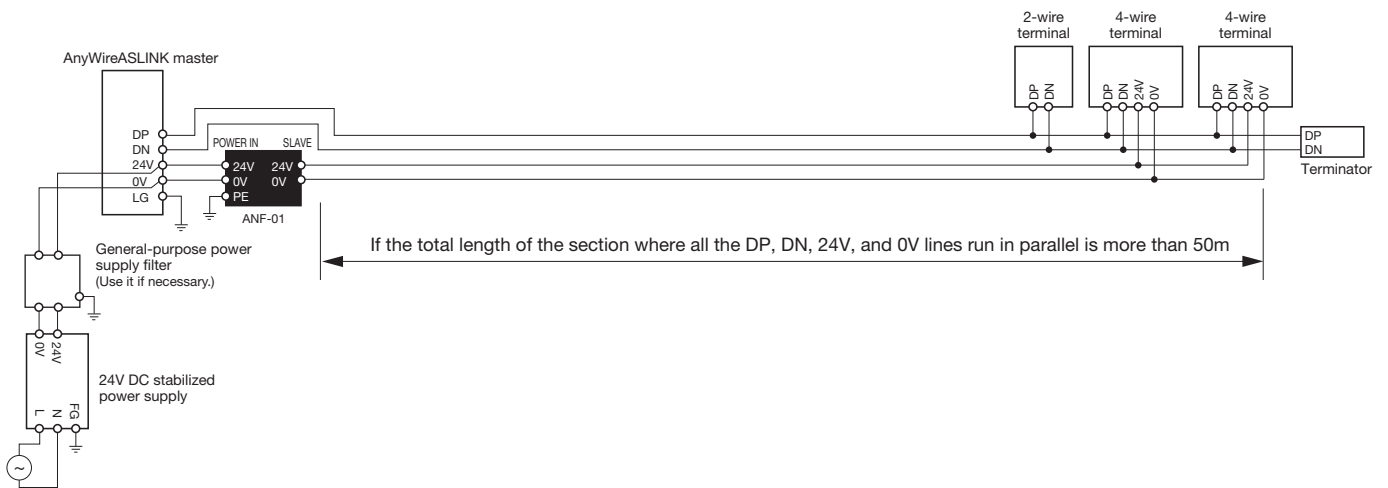
[How to Use the Filter]

In a power supply system from a certain power source, if the total length of DP, DN, 24V and 0V lines in parallel connection exceeds 50m, the ASLINK filter ANF-01 should be connected in series to the 24V and 0V terminals at a position where the parallel connection starts. This filter should be inserted in both cases: batch power supply from a power source for the master unit, and power supply from a local power source.

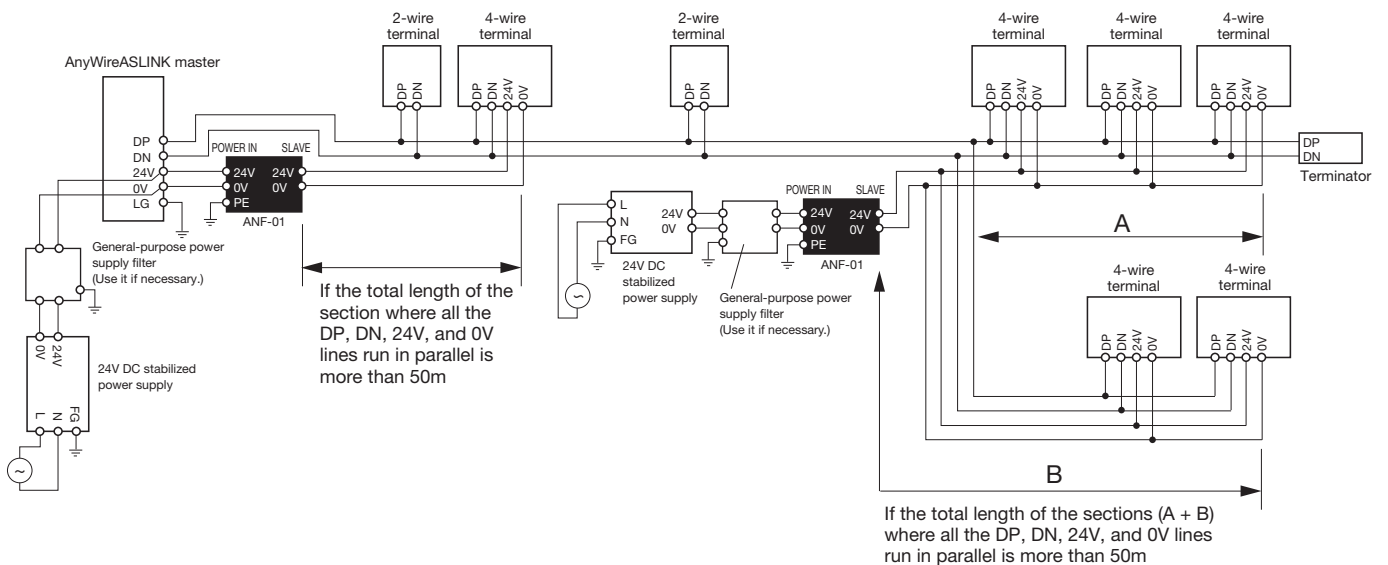
To ensure conformity to the CE standard, insert the ANF-01 filter regardless of the distance of lines in parallel connection.

■ Connection example

① Power supply to the entire system

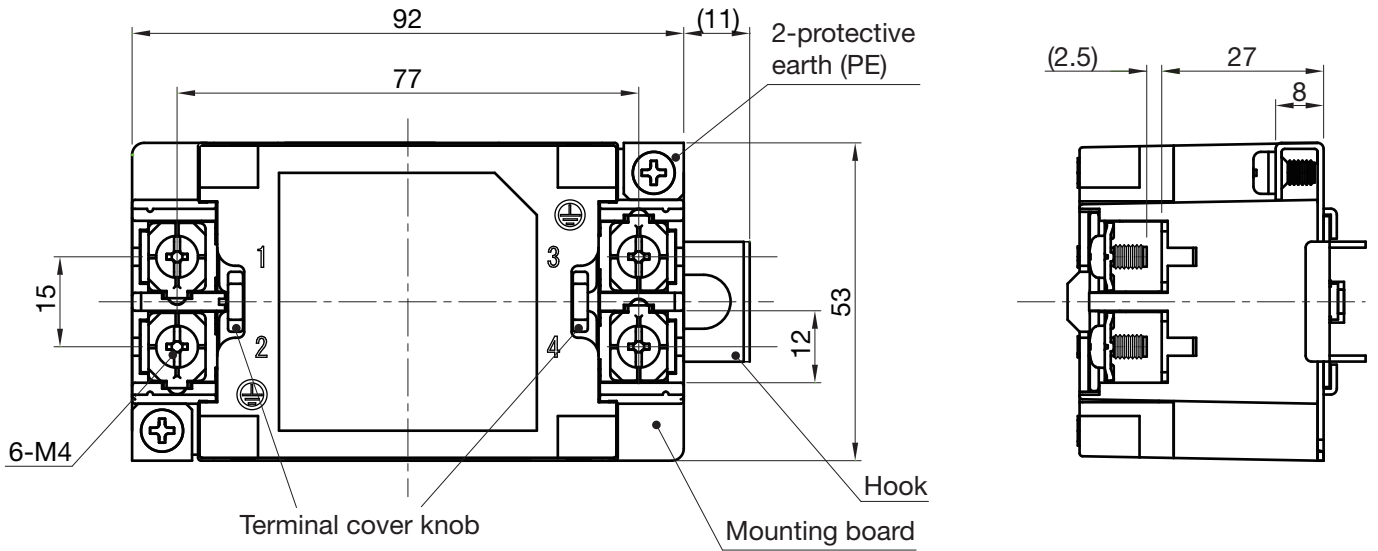


② Local power supply/branching

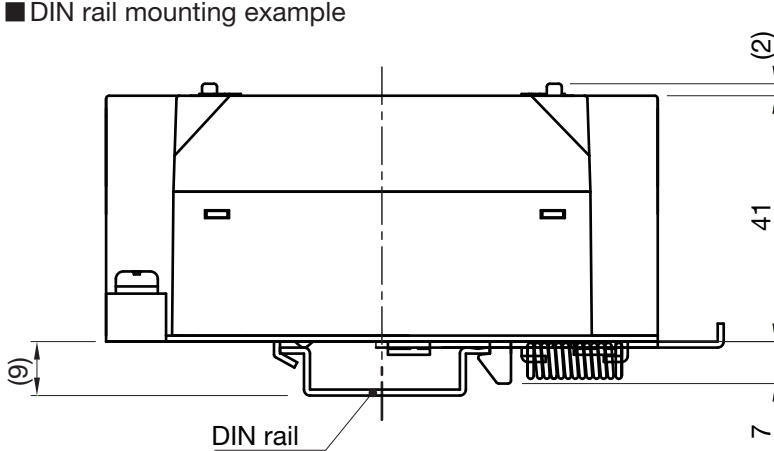


[Outside Dimensions]

Unit: mm



■ DIN rail mounting example



【中国版RoHS指令】

电子信息产品上所示标记是依据SJ/T11364-2006规定,按照电子信息产品污染控制标识要求制定。

本产品的环保使用期限为10年。如果遵守产品说明书中的操作条件使用电子信息产品,不会发生因产品中的有害物质泄漏或突发异变而引发严重的环境污染,人身事故,或损坏财产等情况。

的产品中有害物质的名称及含量

部件名称	有害物质					
	铅 (Pb)	汞 (Hg)	镉 (Cd)	六价铬 [Cr (VI)]	多溴联苯 (PBB)	多溴二苯醚 (PBDE)
安装基板	×	○	○	○	○	○
框架	○	○	○	○	○	○

本表格依据 SJ/T11364 的规定编制。

○ : 表示该有害物质在该部件所有均质材料中的含量均在 GB/T26572 规定的限量要求以下。

× : 表示该有害物质至少在该部件的某一均质材料中的含量超出 GB/T26572 规定的限量要求。



基于中国标准法的参考规格: GB/T15969. 2

[Address]

Anywire Anywire Corporation

Headquarters :1 Babazusho, Nagaokakyo-shi, Kyoto 617-8550 JAPAN

Contact :Contact by mail info_e@anywire.jp
:Contact by website http://www.anywire.jp

Printed in Japan 2014,2015,2017,2018 UMA-10177AF-EN